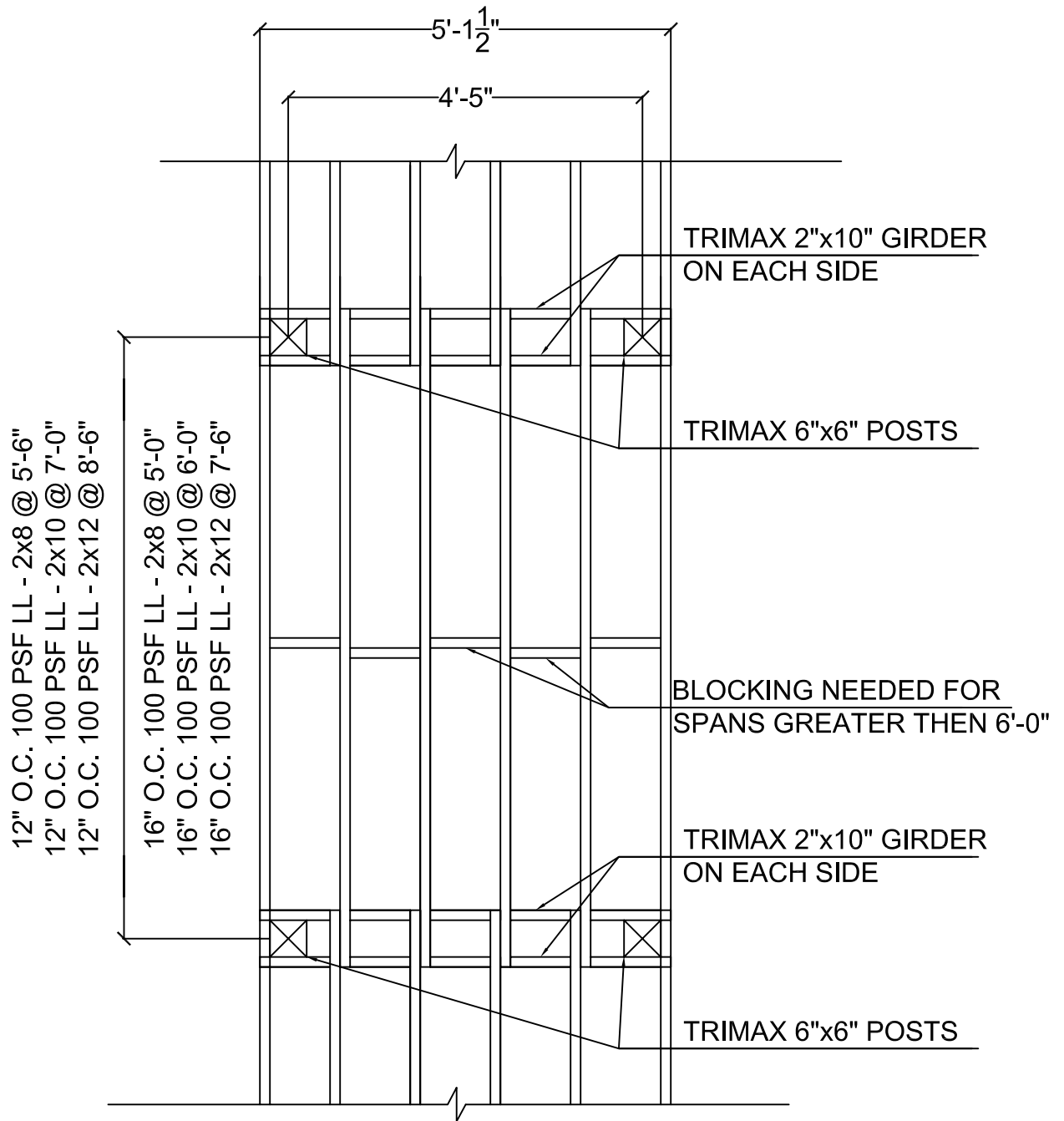


**COMMERCIAL BOARDWALK DESIGN  
 DESIGNED FOR TRIMAX STRUCTURAL LUMBER  
 3'-0" WIDE BOARDWALK LAYOUT  
 100 PSF LIVE LOAD**

$\frac{1}{2}$ " = 1'-0"

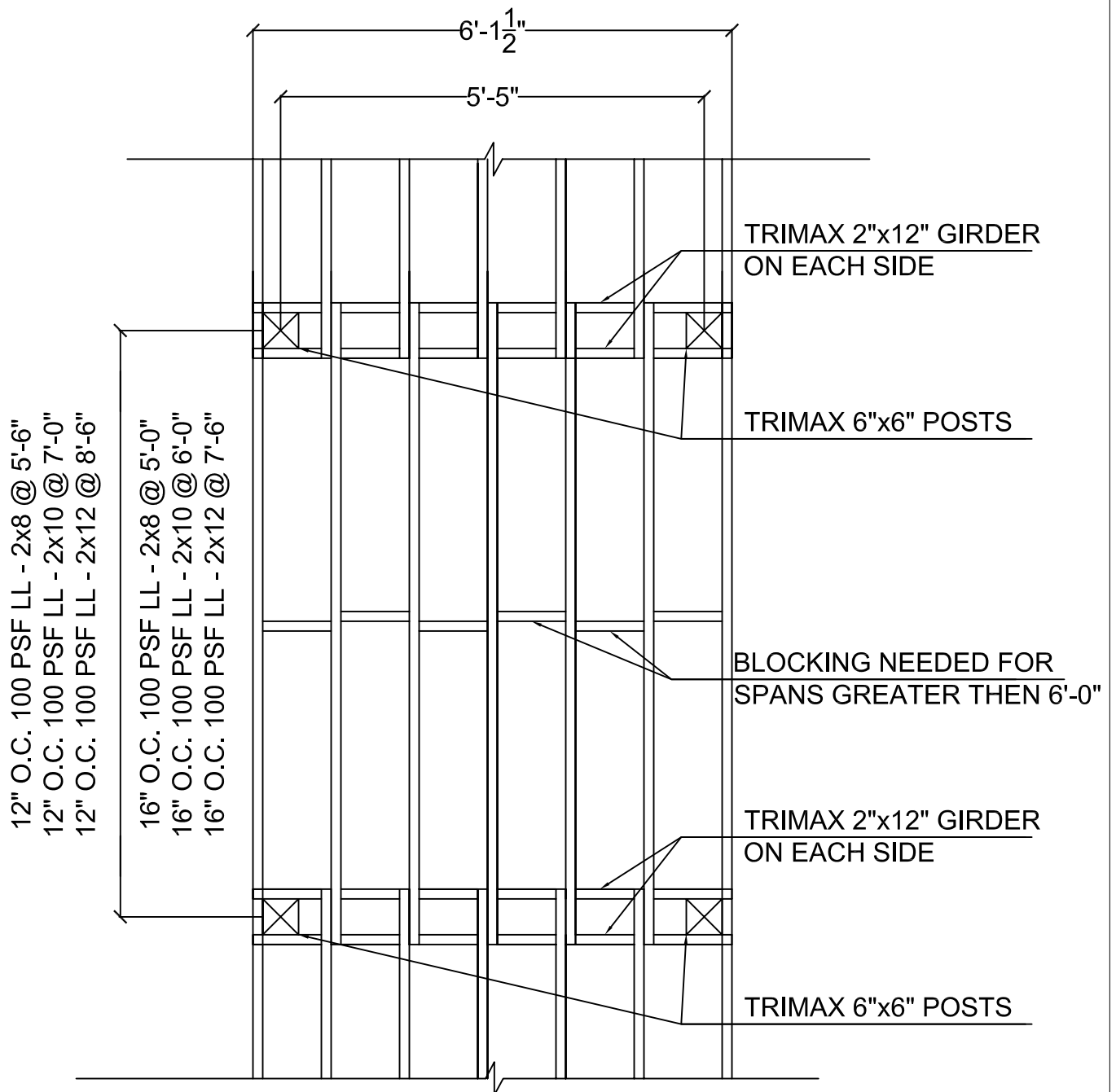




**COMMERCIAL BOARDWALK DESIGN  
 DESIGNED FOR TRIMAX STRUCTURAL LUMBER  
 5'-0" WIDE BOARDWALK LAYOUT  
 100 PSF LIVE LOAD**

$\frac{1}{2}$ "=1'-0"

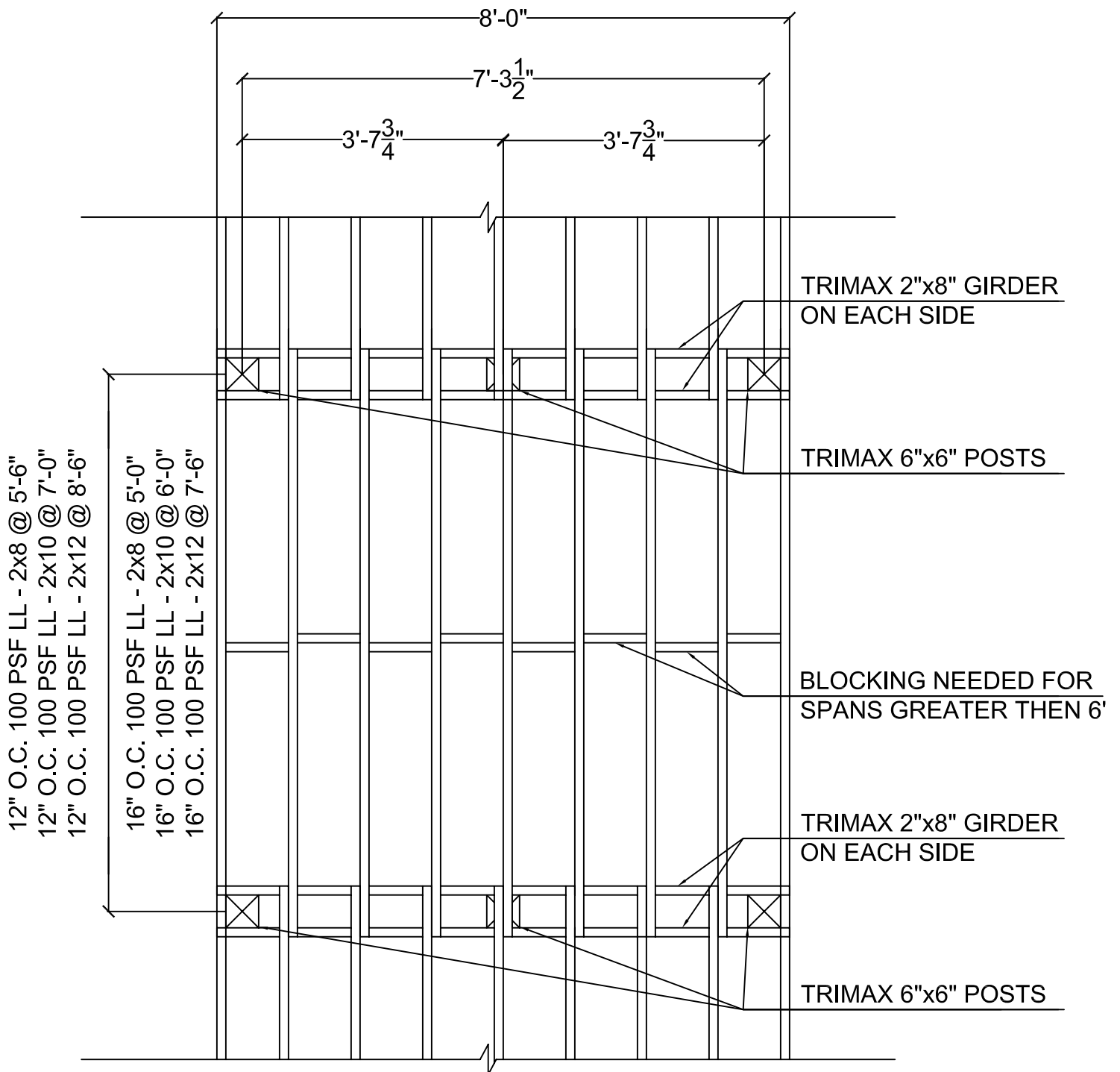




**COMMERCIAL BOARDWALK DESIGN  
 DESIGNED FOR TRIMAX STRUCTURAL LUMBER  
 6'-0" WIDE BOARDWALK LAYOUT  
 100 PSF LIVE LOAD**

$\frac{1}{2}$ "=1'-0"





**COMMERCIAL BOARDWALK DESIGN**  
**DESIGNED FOR TRIMAX STRUCTURAL LUMBER**  
**8'-0" WIDE BOARDWALK LAYOUT**  
**100 PSF LIVE LOAD**

1/2"=1'-0"

